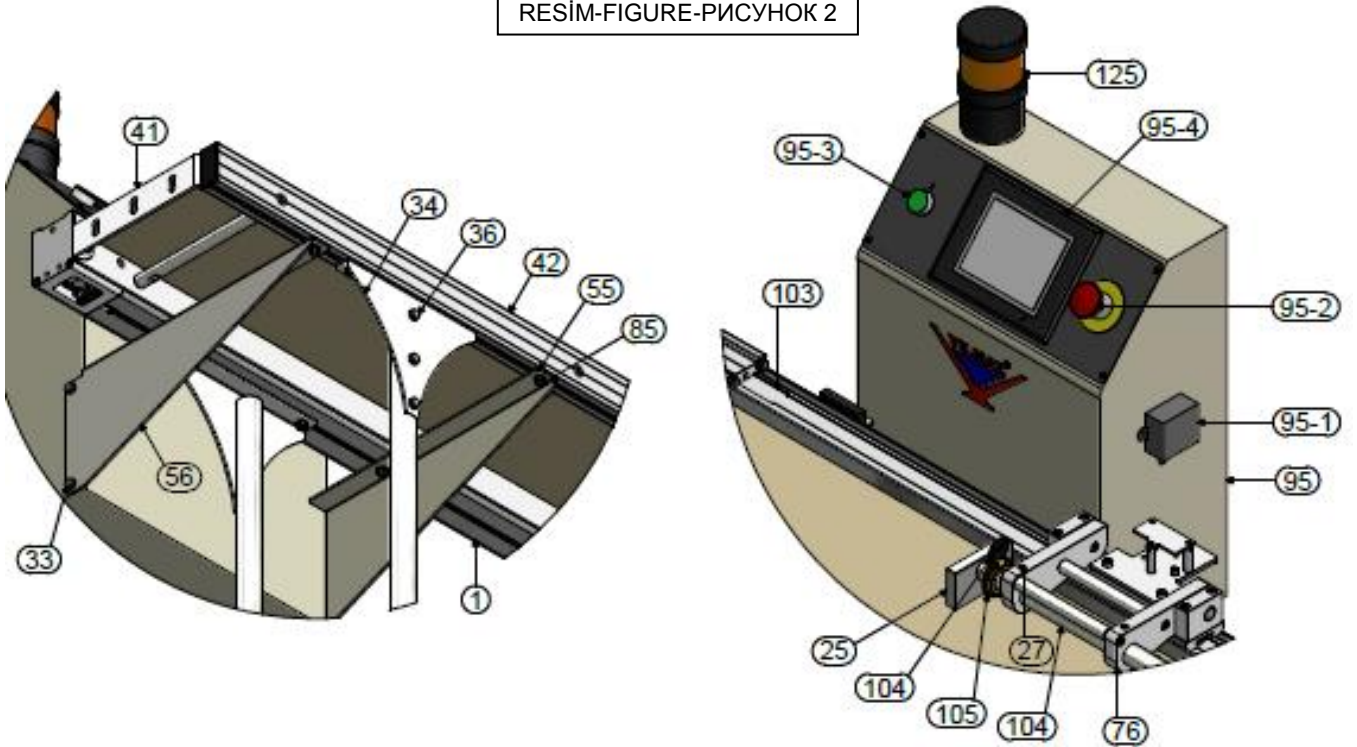
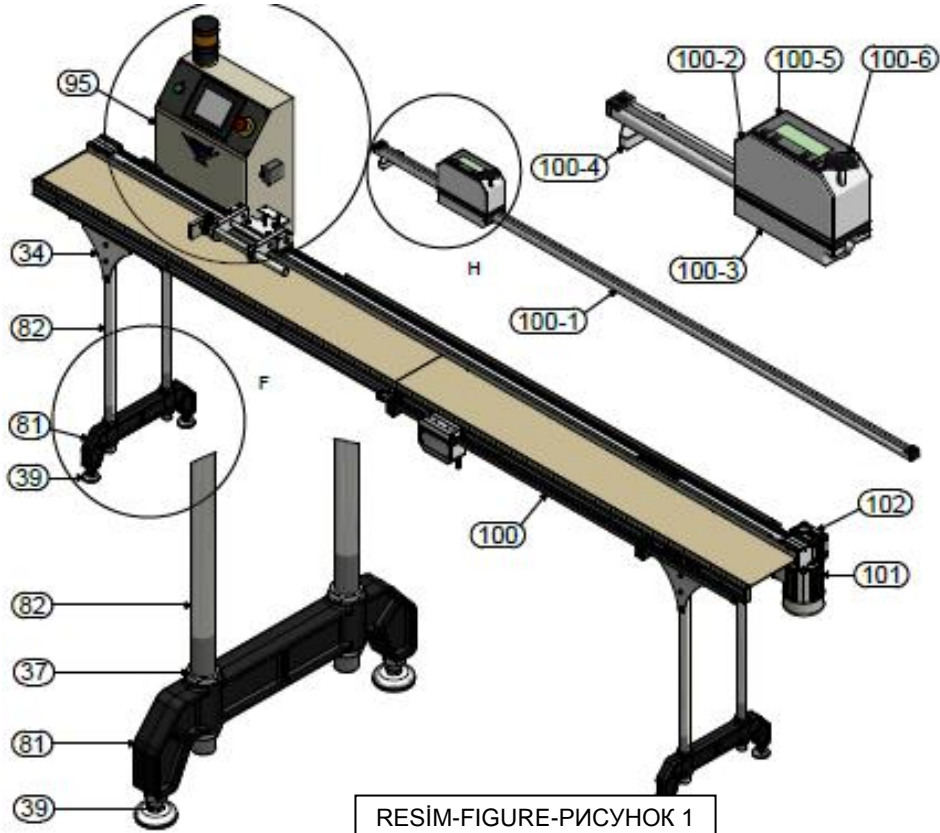







SKN 301
BİLGİSAYARLI SÜRÜCÜLÜ KONVEYÖR / COMPUTERIZED DRIVING
KONVEYOR







PARÇA LİSTESİ - PART LIST - ПЕРЕЧЕНЬ ДЕТАЛЕЙ



NO номер	STOK KODU / CODE ПОРЯДОК КОД	ADET / QTY КОЛИЧЕСТВО	NO номер	STOK KODU / CODE ПОРЯДОК КОД	ADET / QTY КОЛИЧЕСТВО
1	2TU012310-0029	1	100	3UA010030-0078	1
24	2TU011110-0844	1	100-1	2TU012310-0042	1
25	2TU011210-0390	1	100-2	2TU012210-0563	1
27	1SC151000-0026	2	100-3	2TU012210-0564	1
33	1SC011000-0012	5	100-4	2TU012210-0565	1
34	2TU011441-0321	4	100-5	1EL200000-0251	1
36	1SC011000-0011	13	100-6	2TU011110-0144	1
37	2TU011110-0741	8	101	1EL070001-0011	1
39	1SC170000-0007	4	102	1EL070030-0004	1
41	2TU011441-0307	1	103	1SR070000-0020	1
42	2TU012310-0032	1	104	2TU011110-0146	1
55	2TU011441-0322	1	105	2TU012610-0061	1
56	2TU011441-0323	1	125	1EL090000-0124	1
76	2TU012210-0456	1			
81	2TU012510-0321	2			
82	2TU011110-0845	4			
85	1SC201000-0001	29			
95	3UA010030-0082	1			
95-1	1EL200000-0252	1			
95-2	1EL090000-0001	1			
95-3	1EL090000-0003	1			
95-4	1EL190000-0013	1			

YEDEK PARÇA LİSTESİ / SPARE PART LIST / СПИСОК ЗАПАСНЫХ ЧАСТЕЙ

PARÇA NO PART NO НОМЕР	RESİM PICTURE РИСУНОК	STOK KODU / CODE ПОРЯДОК КОД	PARÇA ADI – PART NAME НАИМЕНОВАНИЕ ДЕТАЛИ
95-1		1EL010000-0046	ANA ŞALTER MAIN SWITCH
95-2		1EL090000-0001	ACİL STOP BUTONU EMERGENCY STOP BUTTON
95-3		1EL090000-0003	START BUTONU START BUTTON
95-4		1EL190000-0013	LCD EKРАН LCD SCREEN
		1EL180000-0006	GÜÇ KAYNAĞI POWER SUPPLY

		1EL020000-0028	SWITCH M5-B1
		1EL020000-0029	SWITCH M5-B2
		1EL050000-0025	RÖLE (RT 424730 230V) RELAY (RT 424730 230V)
		1EL050000-0034	RÖLE (RT 424012 12V DC) RELAY (RT 424012 12V DC)
		1EL200000-0259	ALGILAYICI (LMIX2-0000-0.8-01-00) SENSOR (LMIX2-0000-0.8-01-00)
100-5		1SR070000-0020	KAYIŞ BELT
100-5		1EL200000-0251	AZ17E SAYICI AZ17E INDICATOR
100-X		1EL200000-0253	ALGILAYICI (AZ-S-000-1-010-1) SENSOR (AZ-S-000-1-010-1)