

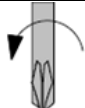
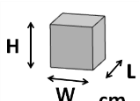




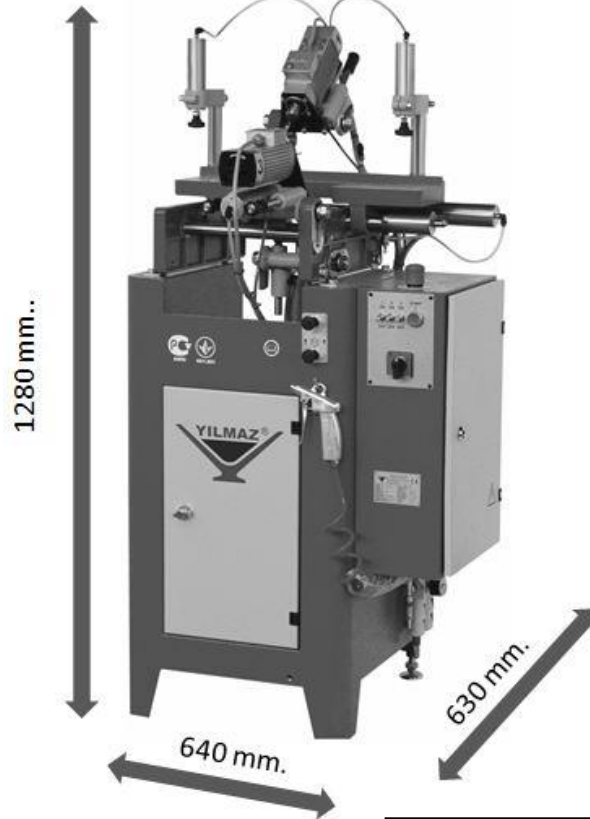


ST 263 ST 264

TEKNİK ÖZELLİKLER - TECHNICAL FEATURES - ТЕХНИЧЕСКИЕ ОСОБЕННОСТИ

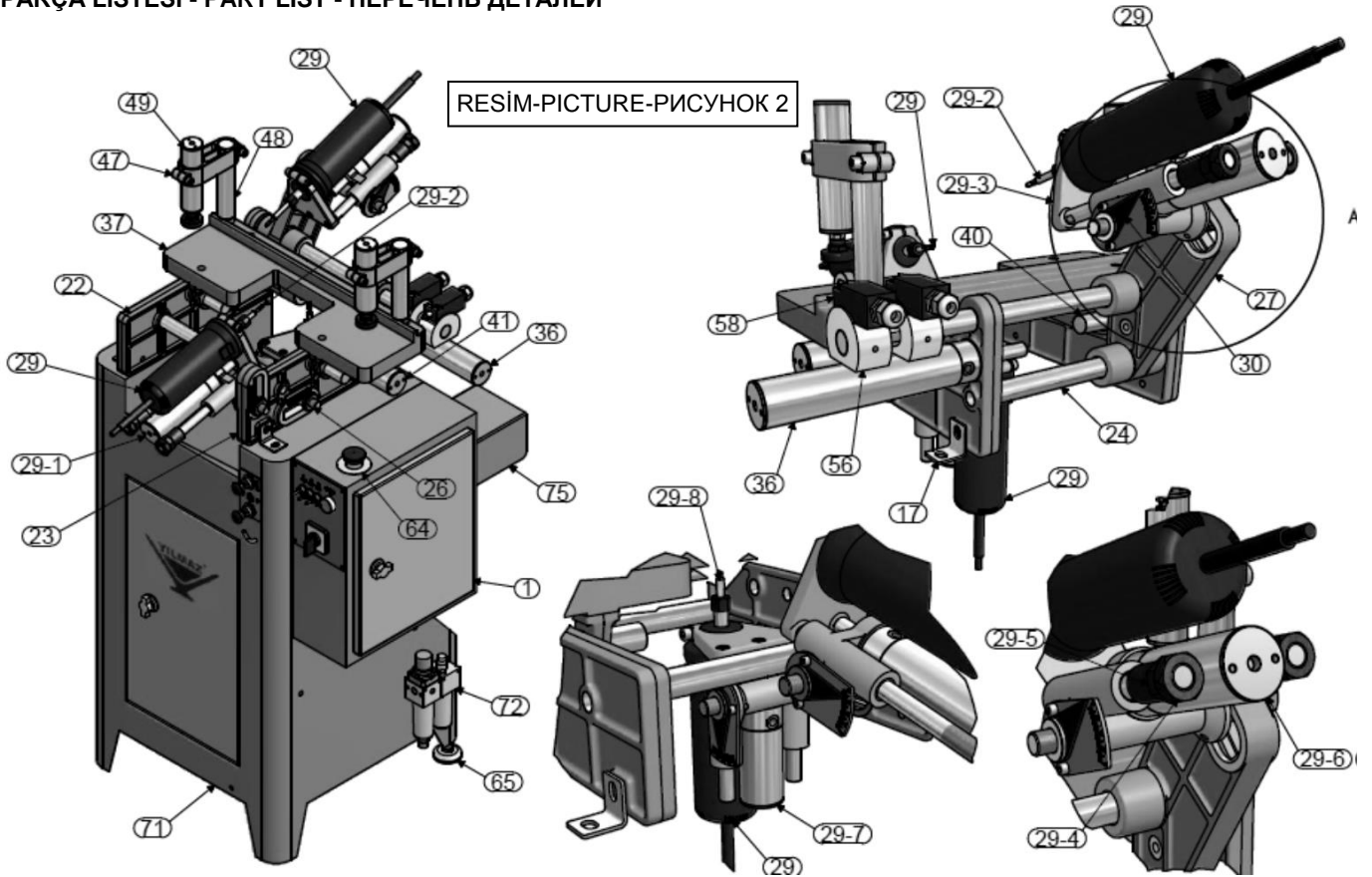
| |  |  |  |  |  |  | |
|---------------|---|---|--|---|---|---|-----|
| | | | | | kg | kg | |
| ST 263 | 600 W x 3 50 Hz. 230V AC P N PE | 6-8 BAR | 19 Lt/dak. Lt/min. | 27000 dev/dak RPM | W = 77 L = 74 H = 149 | 72 | 110 |
| ST 264 | 550 W x 3 50 Hz. 230V AC P N PE | 6-8 BAR | 19 Lt/dak. Lt/min. | 18000 dev/dak RPM | W = 77 L = 74 H = 149 | 82 | 120 |

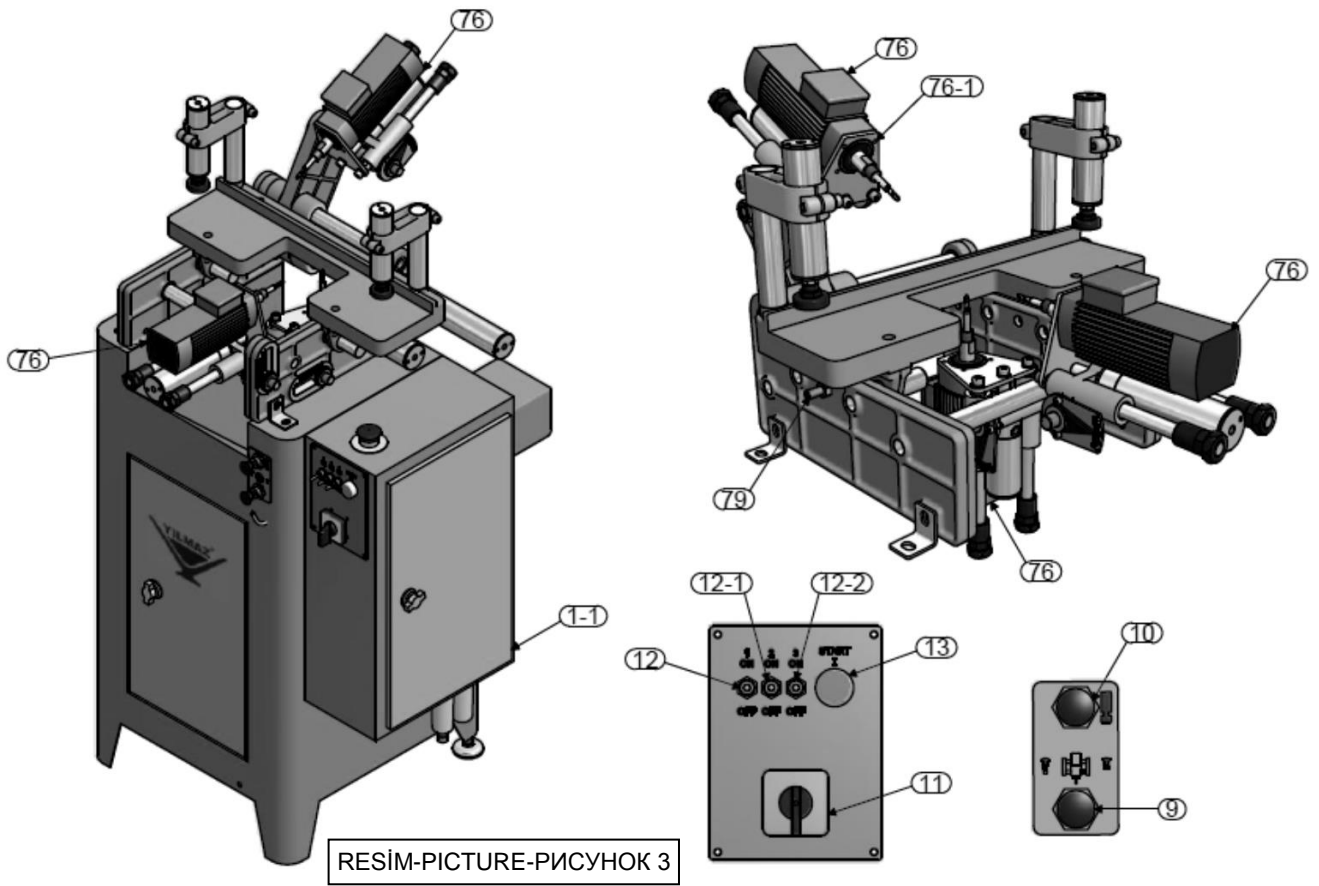
BOYUTLAR – DIMENSIONS – РАЗМЕРЫ



RESİM-PICTURE-РИСУНОК 1

PARÇA LİSTESİ - PART LIST - ПЕРЕЧЕНЬ ДЕТАЛЕЙ





| NO номер | STOK KODU STOCK CODE ПОРЯДОК КОД | ADET QTY КОЛИЧЕСТВО | NO номер | STOK KODU STOCK CODE ПОРЯДОК КОД | ADET QTY КОЛИЧЕСТВО |
|-------------|--|---------------------------|-------------|--|---------------------------|
| 1 | 1SA040000-0005 | 1 | 36 | 3UA350030-0012 | 1 |
| 1-1 | 1SA020000-0039 * | 1 | 37 | 2TU012510-0146 | 1 |
| 17 | 2TU011441-0062 | 4 | 40 | 2TU014010-0092 | 4 |
| 22 | 2TU012510-0147 | 1 | 41 | 3UA350030-0012 | 1 |
| 23 | 2TU012510-0147 | 1 | 47 | 2TU012610-0012 | 2 |
| 24 | 2TU014010-0087 | 2 | 48 | 2TU011110-0208 | 2 |
| 26 | 2TU011110-0833 | 3 | 49 | 3UA060030-0004 | 2 |
| 27 | 2TU012510-0141 | 1 | 56 | 2TU012110-0008 | 2 |
| 29 | 1EL070003-0004 | 3 | 58 | 1EL020000-0005 | 2 |
| 29-1 | 3UA350030-0020 | 1 | 64 | 1EL090000-0001 | 1 |
| 29-2 | 1SK050000-0004 | 2 | 65 | 1SC170000-0007 | 2 |
| 29-3 | 2TU012510-0144 | 3 | 71 | 1SA010000-0010 | 1 |
| 29-4 | 2TU011210-0035 | 4 | 72 | 3UA110030-0020 | 1 |
| 29-5 | 2TU011210-0022 | 4 | 75 | 2TU011441-0475 | 1 |
| 29-6 | 3UA350030-0009 | 1 | 76 | 1EL070000-0006 * | 3 |
| 29-7 | 3UA350030-0012 | 1 | 76-1 | 2TU011441-0440 * | 3 |
| 29-8 | 1SK050000-0001 | 1 | 79 | 2TU011441-0062 | 4 |
| 30 | 2TU011441-0317 | 3 | | | |

* ST
264

Modellerde kullanılmaktadır.
 * It is used for the ST 264 Model
 * Он используется для ST 264 моделей.

